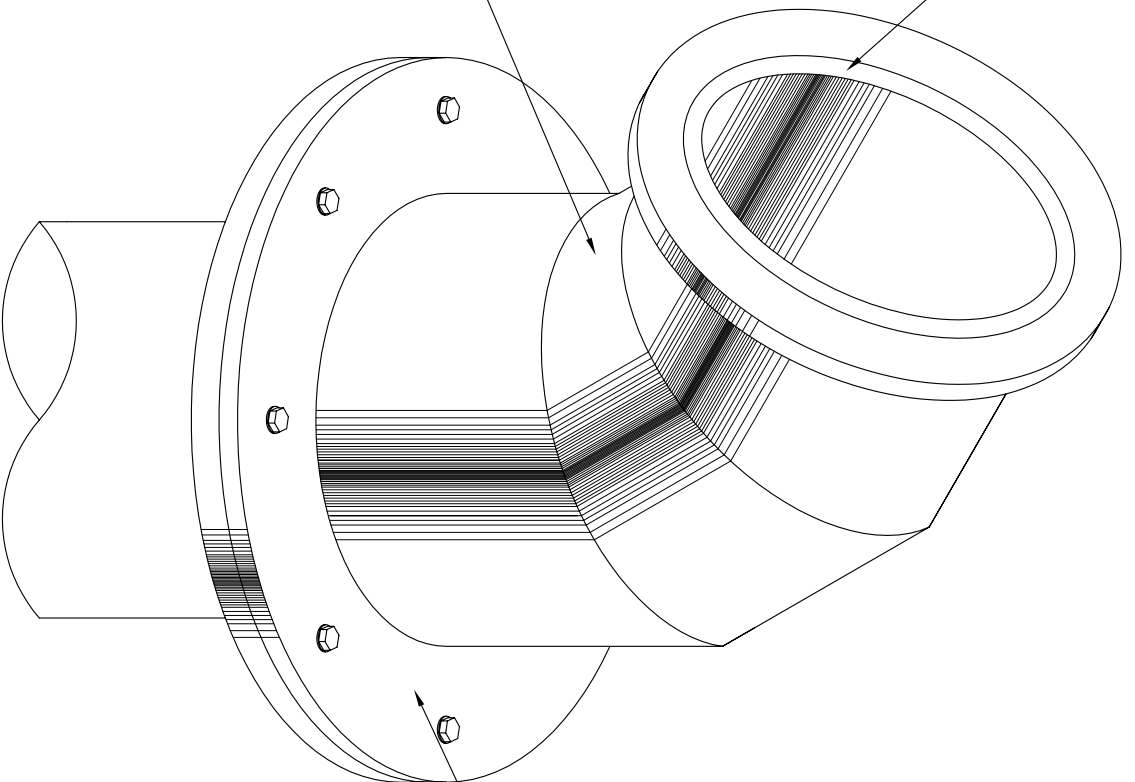


20MM HDPE MADE TO SUIT
EXISTING PIPE DIAMETER

NOZZLE BEND AT
30 OR 45 DEGREES

20MM THICK HDPE FLANGE BOLTED
TO EXISTING PIPE FLANGE



**AQUA
LIFT**
PACIFIC

DRAWN : N. DOBSON

DATE : 18/05/2006

CHECKED : C. ANDREWS

DATE : 18/05/2006

AQUA LIFT PACIFIC PTY LTD

Tel: +61 2 9838 - 3172
Fax: +61 2 9838 - 3173

PO Box 162
Unit 2, 43 Hobart St
Riverstone NSW 2765 Australia

Email: david@aqualift.com.au
Email: sales@nextep.net.au
www.aqualift.com.au - www.nextep.net.au

HDPE DIRECTIONAL NOZZLE

DRAWING No. **AP_04**

A4

SHEET 1 OF 1

SCALE
NA

ISSUE
1